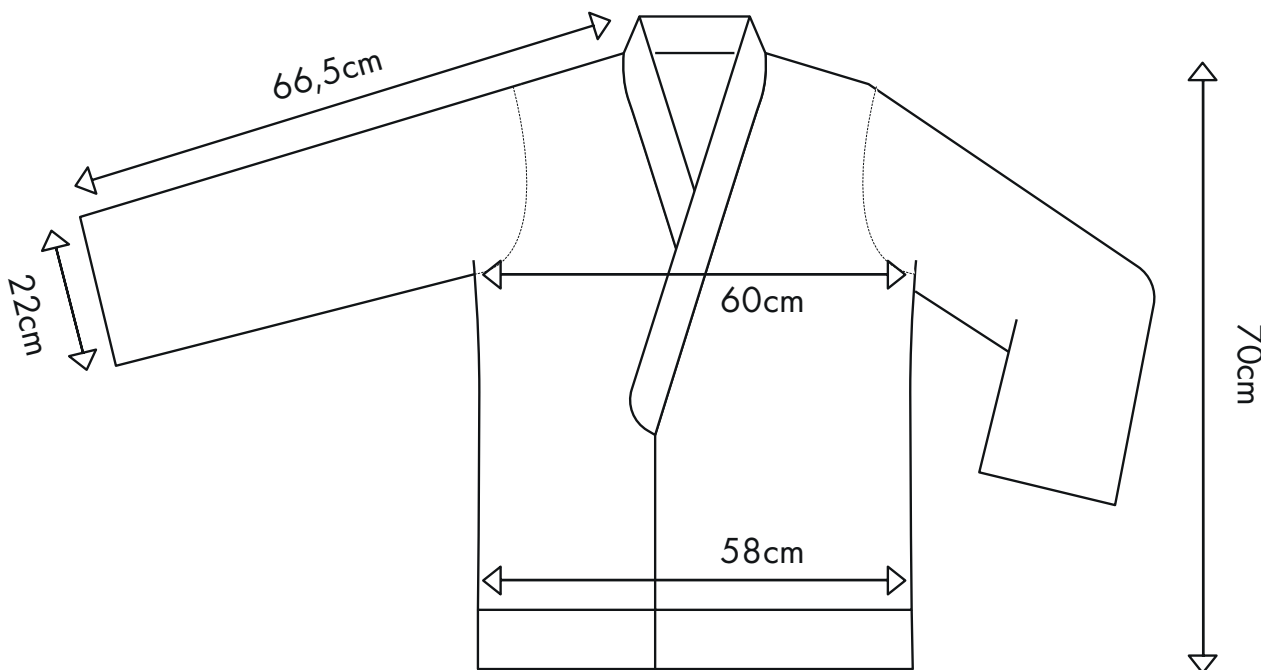


Size 0 short



_sabok_bar_
studio for transformational garments



Chest Width 120 cm

Hip Width 116 cm

Arm Length Complete 66,5 cm

Arm Opening 44 cm

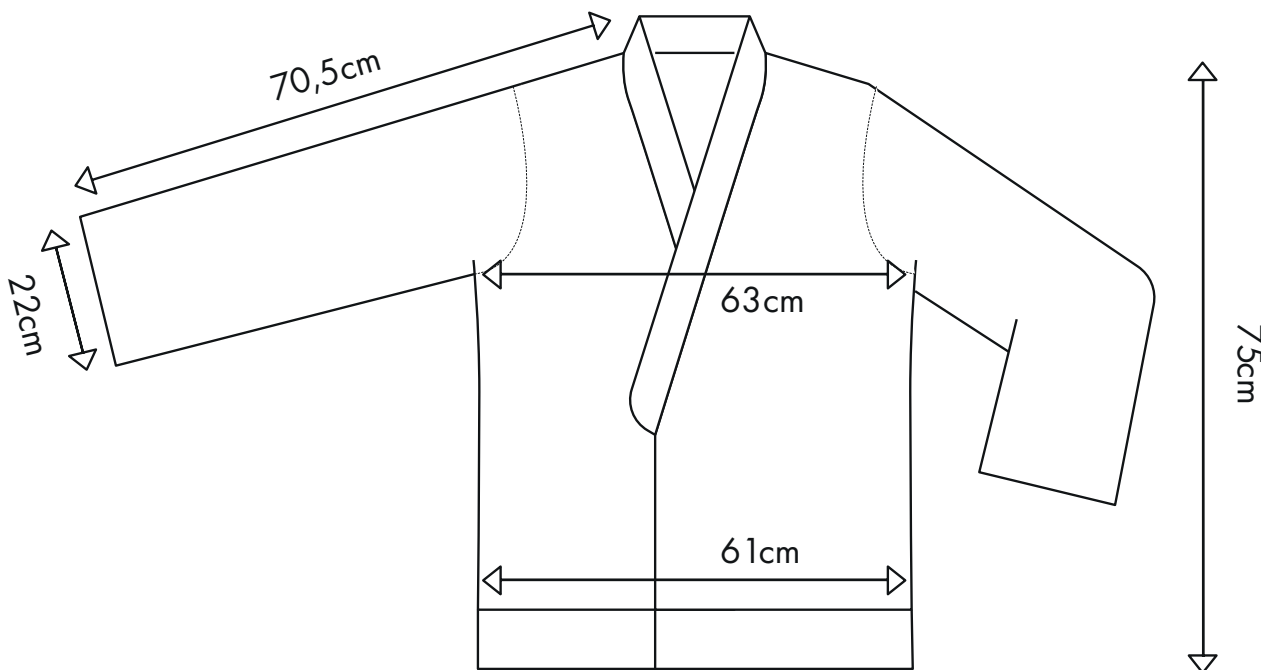
Length 70 cm

Size 1 normal



_sabok_bar_

studio for transformational garments



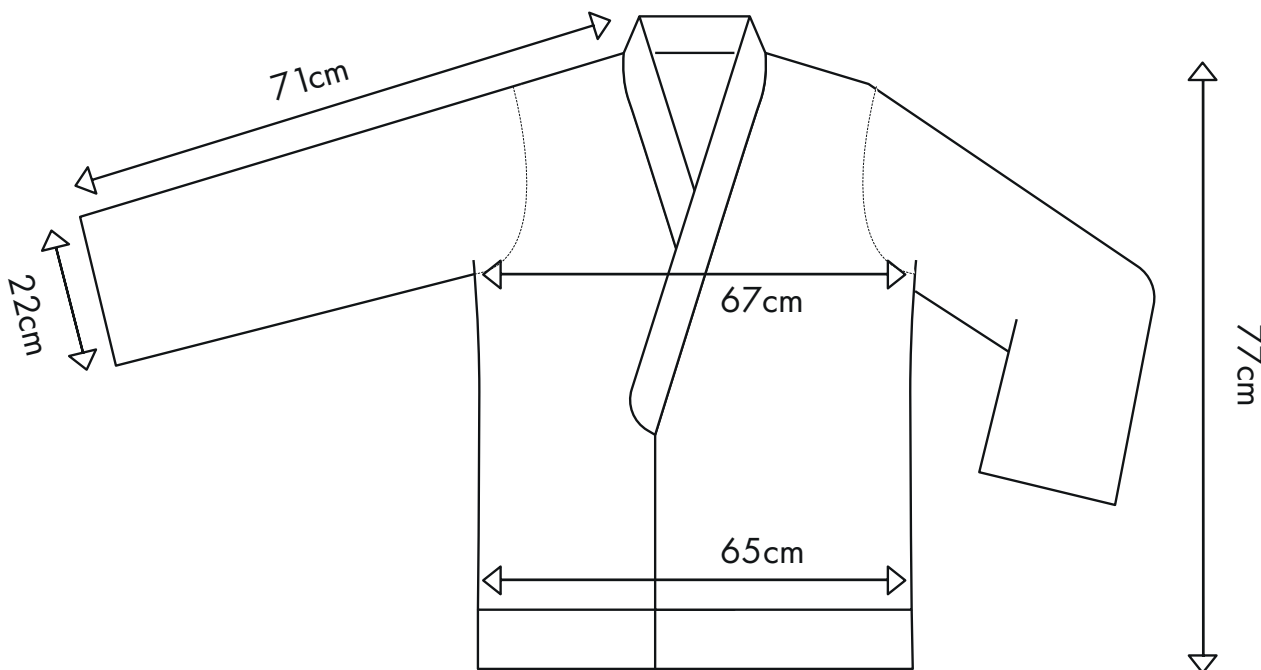
| | |
|---------------------|---------|
| Chest Width | 126 cm |
| Hip Width | 122 cm |
| Arm Length Complete | 70,5 cm |
| Arm Opening | 44 cm |
| Length | 75 cm |

Size 2 normal



_sabok_bar_

studio for transformational garments



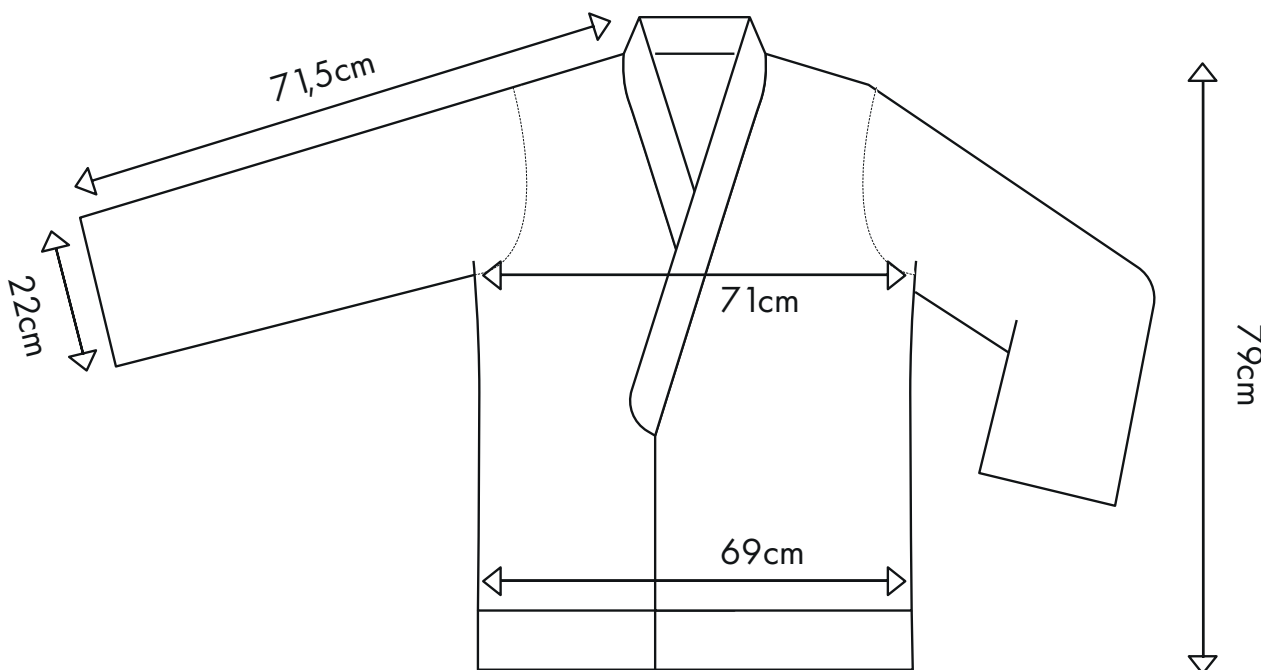
| | |
|---------------------|--------|
| Chest Width | 134 cm |
| Hip Width | 130 cm |
| Arm Length Complete | 71 cm |
| Arm Opening | 44 cm |
| Length | 77 cm |

Size 3 normal



_sabok_bar_

studio for transformational garments



Chest Width 142 cm

Hip Width 138 cm

Arm Length Complete 71,5 cm

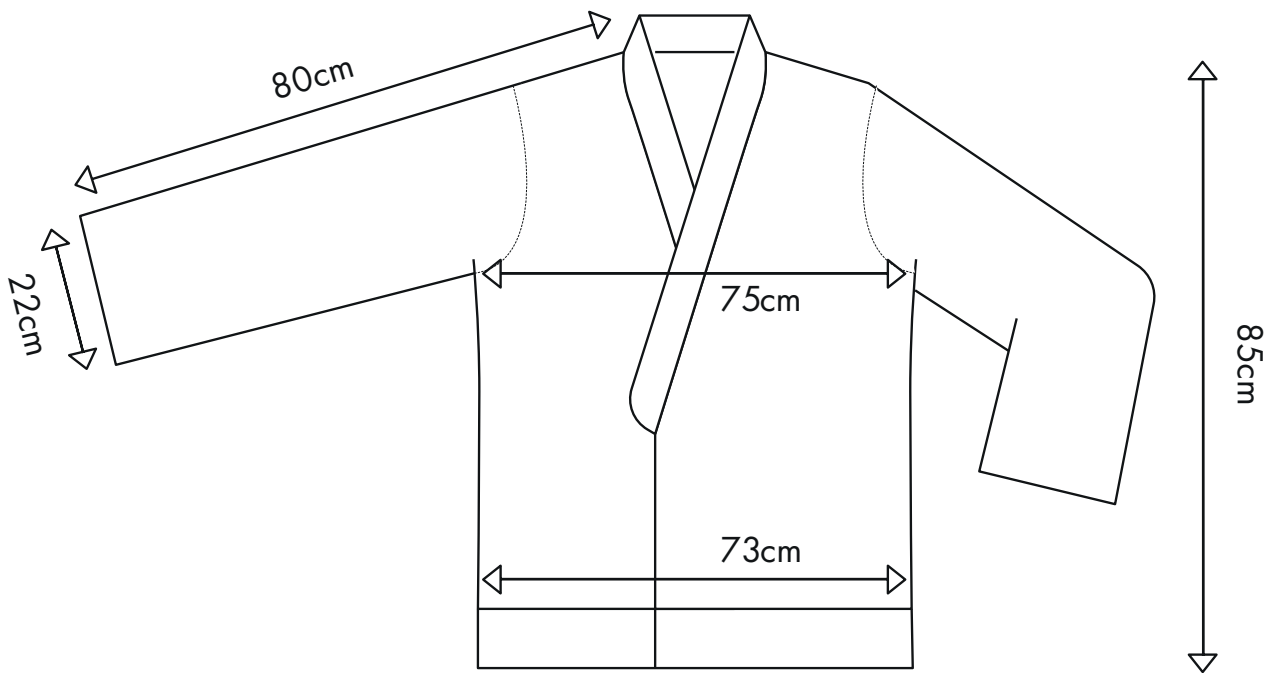
Arm Opening 44 cm

Length 79 cm

Size 4 long



_sabok_bar_
studio for transformational garments



| | |
|---------------------|--------|
| Chest Width | 150 cm |
| Hip Width | 146 cm |
| Arm Length Complete | 80 cm |
| Arm Opening | 44 cm |
| Length | 85 cm |